

# 7334L2622F02LF

Catalogue Part Number Key

Lead Free Version (Optional)

Durability  
 0: 2500 Mating Cycles  
 2: 10000 Mating Cycles  
 5: 100000 Mating Cycles

Number of contacts :  
 2: 8 contacts ISO  
 3: 16 contacts ISO + AFNOR

GENERAL:  
 This L26 connector uses a "sliding" contact technology suitable for most applications.  
 It has been designed for easy mounting on the PCB.

ELECTRICAL PROPERTIES:  
 Insulation resistance : 5000 MΩ min  
 Dielectric withstanding : 750 Vrms min  
 Current carrying capacity : 10µA min. 1A max  
 Contact resistance : 100mΩ max  
 Card sensor type : Normally closed

MECHANICAL PROPERTIES:  
 Contact Normal force : 0.6 N max (EMV Standard)  
 Insertion force : 10 N max  
 Extraction force : 1 N min  
 Durability : According to UTE C93-421

MATERIAL:  
 Housing : Thermoplastic 30 % Glass Filled, Colour Black, Rated UL94V0  
 Contacts and switch : Phosphor bronze  
 Plating : Nickel all over on contact area  
           Gold on contact area.  
           Tin/Lead on soldertails

FOR LEAD FREE PLATING :  
 Matte Tin on solder tail in place of Tin/Lead  
 Bare edge allowed

ENVIRONMENT:  
 Operating temperature: -20°C / +70°C  
 Storage temperature: -40°C / +85°C  
 Printed Circuit Board thickness : 1.6mm

REFERENCE DOCUMENTS:  
 Product specification VGN 11596  
 Packaging Specification VGN 11619

## LEAD FREE VERSION:

"This product meets European Union Directives and other country regulations as described in GS-22-008"

The housing will withstand exposure to 260°C peak temperature for 10seconds in a wave solder application with a 1.6mm minimum thick circuit board. Use protective adhesive tape (Kapton or Teflon) or protective metallic devices on the areas which are directly exposed to wave soldering as it is used in classical leaded wave soldering

General Tolerances: ± 0.2 mm

A

B

C

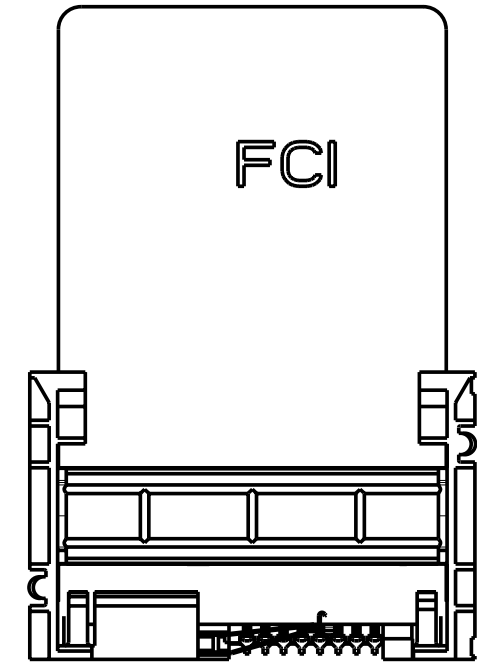
D

A

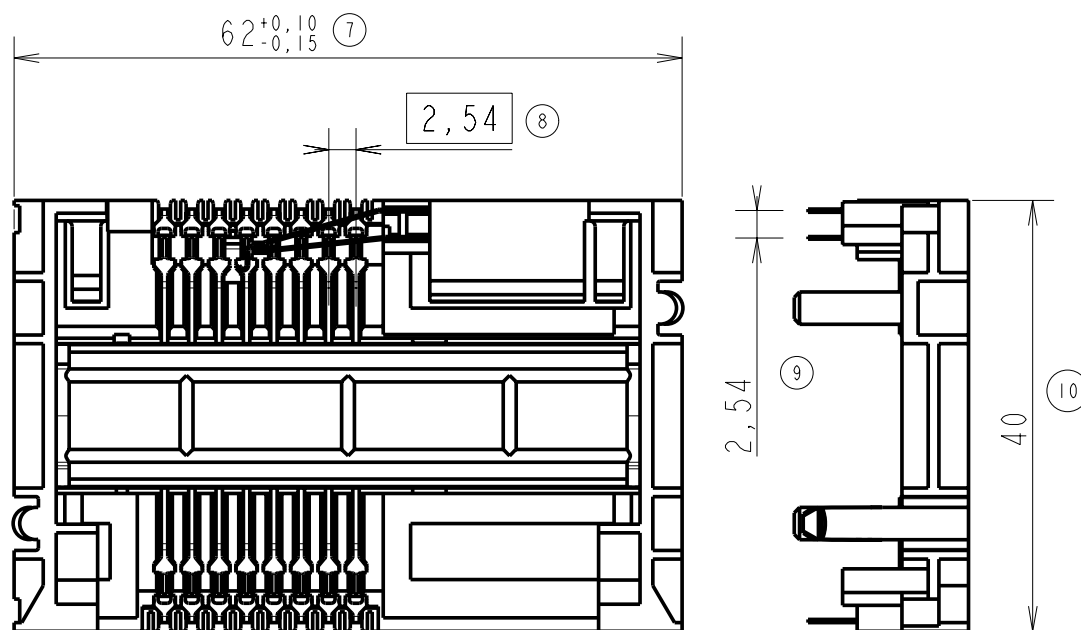
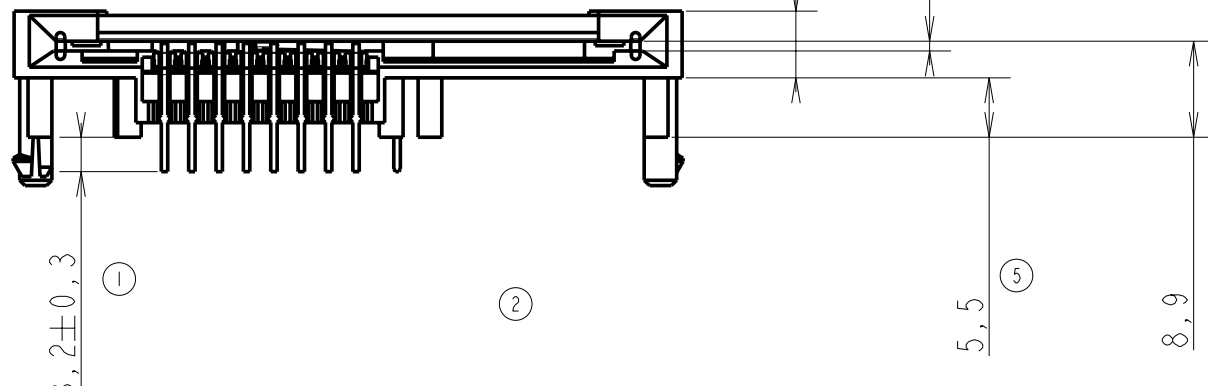
B

C

D



SCALE 1:1



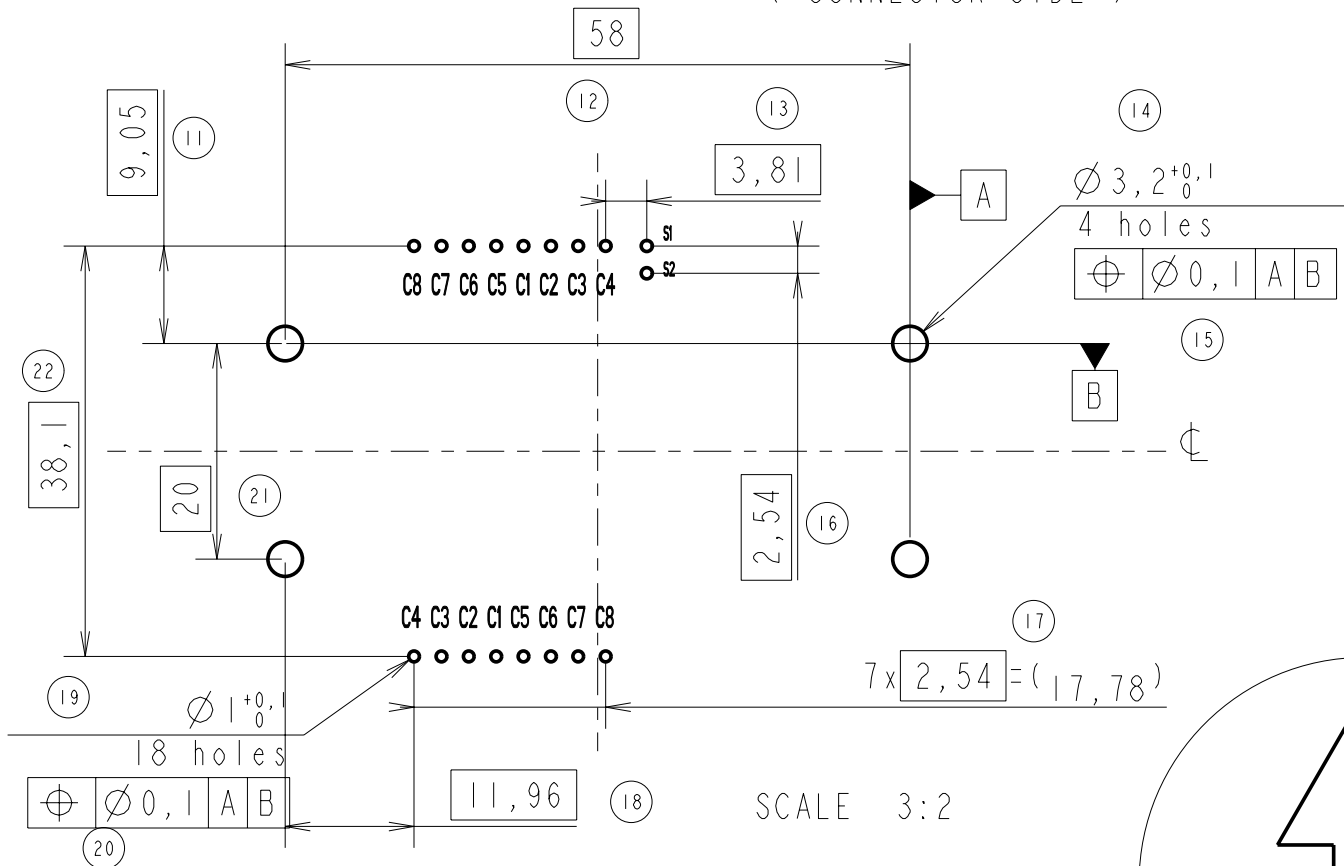
rev	ecn no	dr	date
A	F20307	DLE	2002/04/30
B	1s 3053	JTA	2003/05/13
C	105-0071	DTK	2005/06/25
D	106-0084	SSC	2006/06/21
E	106-0189	SSC	2006/10/17
-	-	-	-
-	-	-	-

www.fciconnect.com		surface - ✓ ISO 1302	tolerance std ISO 406 ISO 1101	projection mm
TOLERANCES UNLESS OTHERWISE SPECIFIED				
Dr	N.TWENCY	2002/04/30	ANGULAR	0.X ±
Eng	F TISSERAND	2002/04/30	LINEAR	0.XX ±
Chr	DILIPTHOMAS	2006/10/17	0° ±°	0.XXX ±
Appr	K.V.SIVADAS	2006/10/17	Product family	5S2F
FCI		title L26 TYPE F02		Rev. E
-		-		avg no VJW_54702
-		-		customer
-		-		sheet 1 of 2

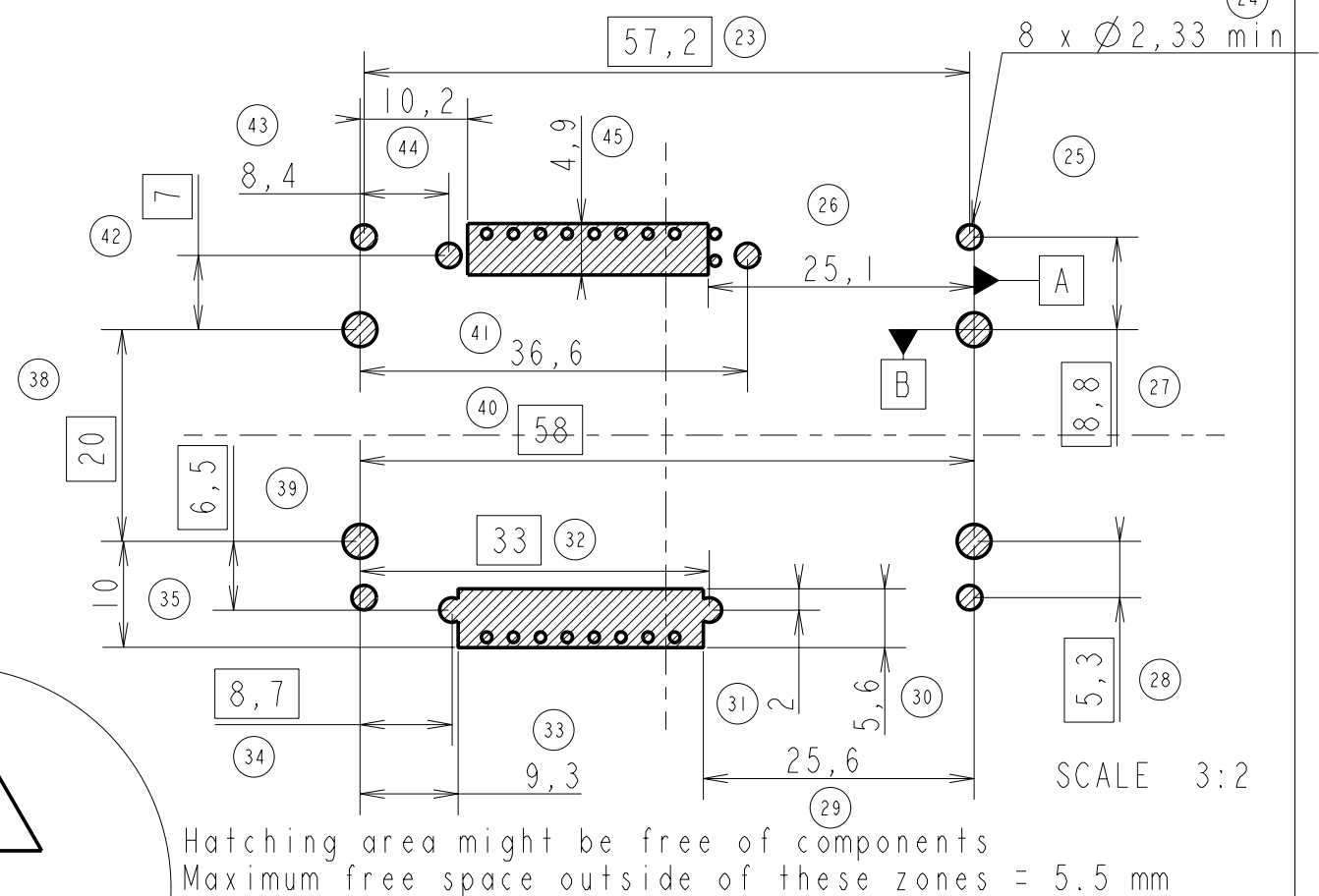


Copyright FCI.

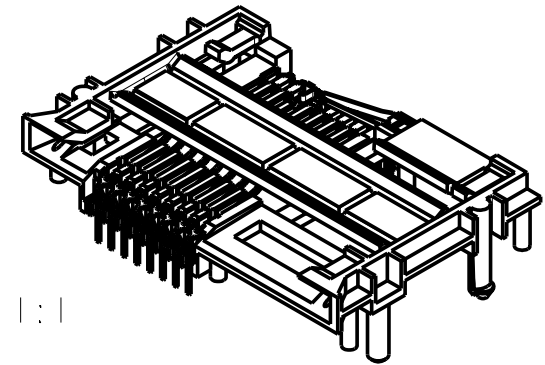
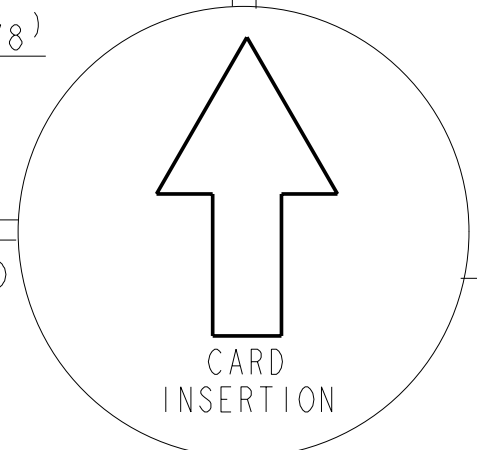
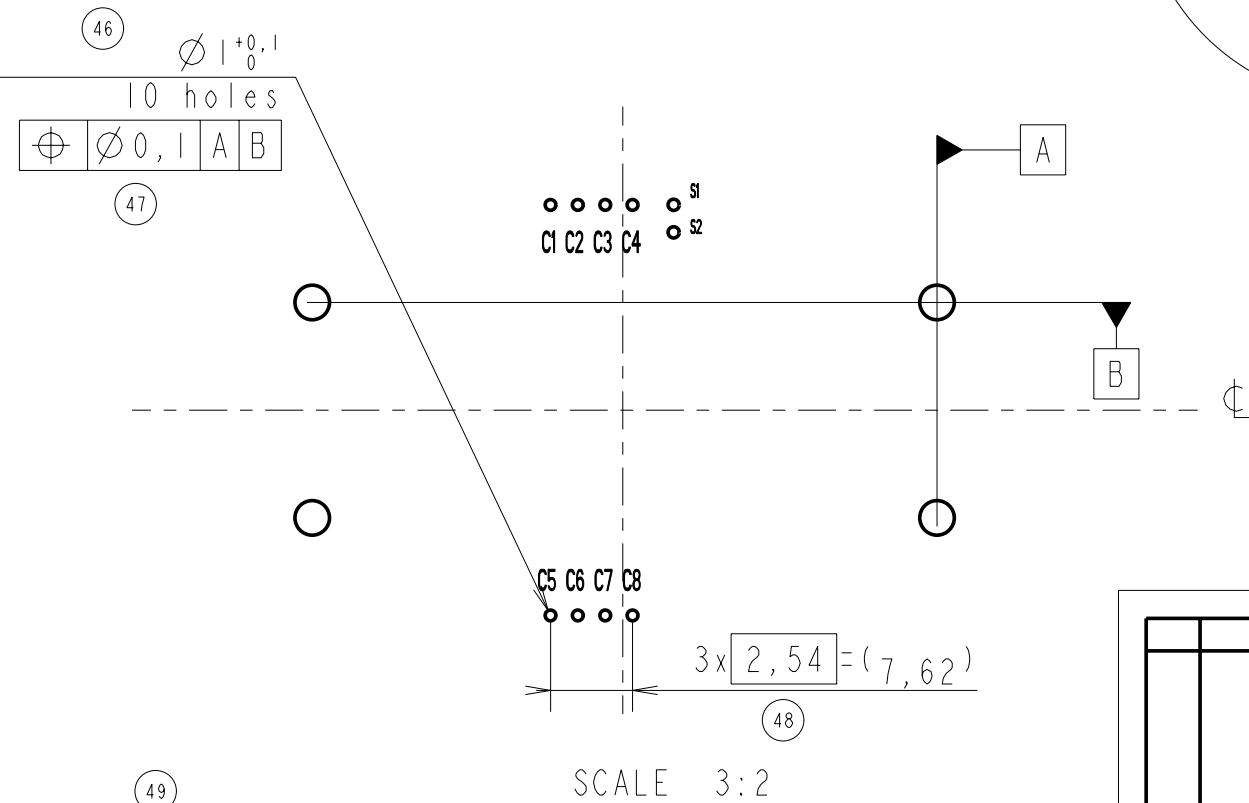
**RECOMMENDED PCB LAYOUT CONTACT CONFIGURATION : ISO & AFNOR (CONNECTOR SIDE)**



**STANDARD LAYOUT FOR 'KEEP OUT ZONE' (Connector Side)**



**RECOMMENDED PCB LAYOUT CONTACT CONFIGURATION : ISO (CONNECTOR SIDE)**



EUROPEAN PROJECTION

www.fciconnect.com		surface - <input checked="" type="checkbox"/> ISO 1302	tolerance std ISO 406 ISO 1101	projection	mm
TOLERANCES UNLESS OTHERWISE SPECIFIED					
Dr	N.TWENCY	2002/04/30	ANGULAR	0.X ±	size A3
Eng	F TISSERAND	2002/04/30	LINEAR	0.XX ±	Scale 3:2
Chr	DILIPTHOMAS	2006/10/17	0° ±	0.XXX ±	ECN 106-0189
Appr	K.V.SIVADAS	2006/10/17	Product family	5S2F	Spec ref SEE NOTES
		title L26 TYPE F02		dwg no VJW_54702	Rev. E
catalog no		SEE TABLE		CUSTOMER	sheet 2 of 2

Copyright FCI.